

Vertical latch type toggle clamps

Steel / Stainless Steel, for pulling action

SPECIFICATION

Types

- Type **T3**: with U-bolt latch, with catch
- Type **T**: without U-bolt latch, with catch

Version in Steel

Case-hardened Steel C10
zinc plated, blue passivated

U-bolt latch
Steel St 37
zinc plated, blue passivated

All moving parts
lubricated with special grease

Handle with plastic sleeve
red, oil resistant

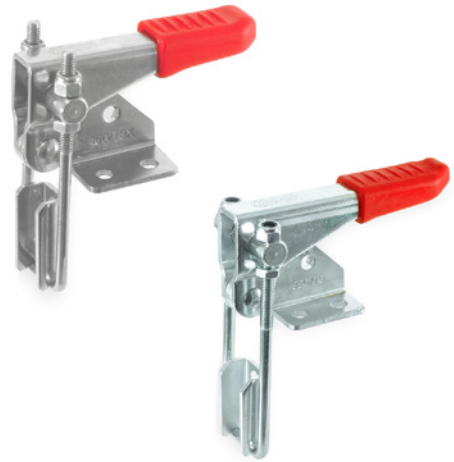
Version in Stainless Steel NI

Parts in sheet metal / U-bolt latch
Stainless Steel AISI 304

Pin
Stainless Steel AISI 303

All moving parts
lubricated with special grease

Handle with plastic sleeve
red, oil resistant



INFORMATION

The stroke of the U-bolt latch of GN 851.1 vertical latch type toggle clamps can be adjusted within its range.

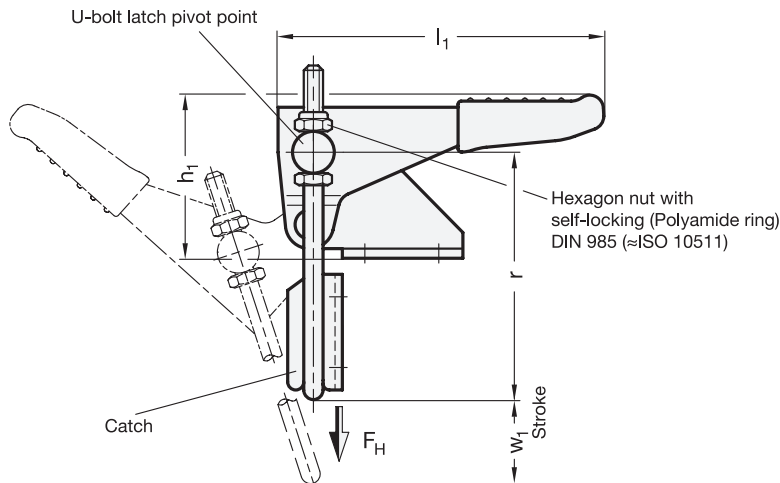
In the clamped position the U-bolt latch with clamping arm is perpendicular to the clamping arm and the plane of the operating handle.

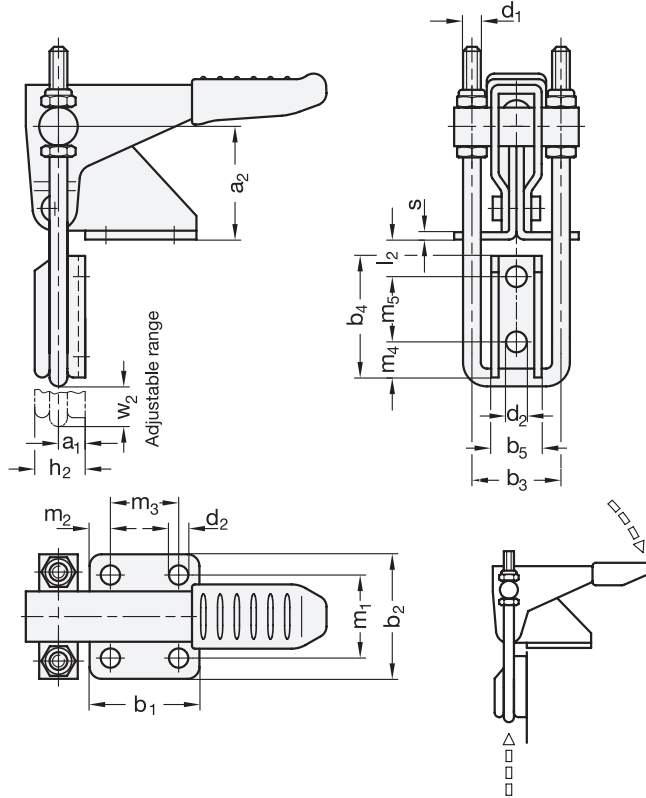
In addition to the standard lengths of the U-bolt latches shown in the table, a variety of other lengths are also available under the GN 951.1 series (see page 1604).

- General information for toggle clamps (see page 1560)

TECHNICAL INFORMATION

- Stainless Steel characteristics (see page A26)





GN 851.1

Description	Size	FH	in	N	a1	a2	b1	b2	b3	b4	b5	d1	d2	h1	h2	l1	l2 min.	m1	m2	m3	m4	m5	r ≈	s	w1	w2 ≈	⚖
GN 851.1-160-T3	160	1600	5	25	26	35	21	25.5	14	M 4	4.3	37	10	68	4.5	22	6.5	13	6.7	14.3	50	2	34.5	12	104		
GN 851.1-320-T3	320	3200	8	37	36	44	32	37	22	M 6	6.5	54	15	106	6	25.5	8.5	19	10.5	20.5	78	3	53	21	310		
GN 851.1-700-T3	700	7000	13	45	52	54	38	48.5	26	M 8	8.5	67	23	147	8	36.5	10	32	13.5	27	102	3.5	64	30	720		
GN 851.1-160-T	160	1600	-	25	26	35	-	25.5	14	-	4.3	37	10	-	-	22	6.5	13	6.7	14.3	-	2	-	-	90		
GN 851.1-320-T	320	3200	-	37	36	44	-	37	22	-	6.5	54	15	-	-	25.5	8.5	19	10.5	20.5	-	3	-	-	290		
GN 851.1-700-T	700	7000	-	45	52	54	-	48.5	26	-	8.5	67	23	-	-	36.5	10	32	13.5	27	-	3.5	-	-	600		

GN 851.1-NI

STAINLESS STEEL

Description	Size	FH	in	N	a1	a2	b1	b2	b3	b4	b5	d1	d2	h1	h2	l1	l2 min.	m1	m2	m3	m4	m5	r ≈	s	w1	w2 ≈	⚖
GN 851.1-160-T3-NI	160	1600	5	25	26	35	21	25.5	14	M 4	4.3	37	10	68	4.5	22	6.5	13	6.7	14.3	50	2	34.5	12	103		
GN 851.1-320-T3-NI	320	3200	8	37	36	44	32	37	22	M 6	6.5	54	15	106	6	25.5	8.5	19	10.5	20.5	78	3	53	21	326		
GN 851.1-700-T3-NI	700	7000	13	45	52	54	38	48.5	26	M 8	8.5	67	23	147	8	36.5	10	32	13.5	27	102	3.5	64	30	710		
GN 851.1-160-T-NI	160	1600	-	25	26	35	-	25.5	14	-	4.3	37	10	-	-	22	6.5	13	6.7	14.3	-	2	-	-	80		
GN 851.1-320-T-NI	320	3200	-	37	36	44	-	37	22	-	6.5	54	15	-	-	25.5	8.5	19	10.5	20.5	-	3	-	-	277		
GN 851.1-700-T-NI	700	7000	-	45	52	54	-	48.5	26	-	8.5	67	23	-	-	36.5	10	32	13.5	27	-	3.5	-	-	592		

